

Truck Crane Suspension Solutions



AIRTEK® NXT

Integrated front air suspension and steer axle system designed for comfort and improved performance



ROADMAAX™

Tandem-axle rear air suspension designed for reduced maintenance and driver comfort



To learn more about AIRTEK NXT / ROADMAAX, call Hendrickson or visit our global websites for additional information.

AIRTEK® NXT for Truck Crane Applications

Capacities up to 11,500kg per axle

Reduced Maintenance

- QUIK-ALIGN® helps reduce maintenance time by offering a fast and easy method to adjust and set alignment without shims

Weight Savings

- The unique design of the STEERTEK™ NXT axle contributes to a lightweight design

Superior Ride Quality

- Large volume air springs provide a softer, more comfortable ride

Superior Maneuverability

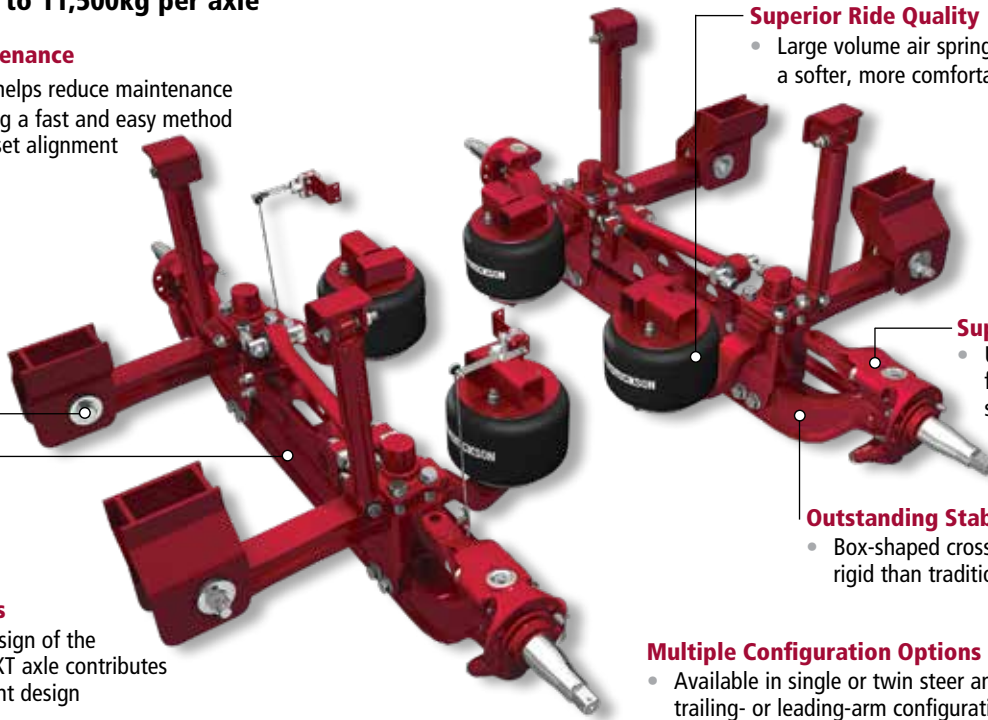
- Up to 35 degrees of wheel cut for tight spaces such as job sites and city streets

Outstanding Stability

- Box-shaped cross-section is more rigid than traditional I-beam axles

Multiple Configuration Options

- Available in single or twin steer and trailing- or leading-arm configurations



ROADMAAX™ for Truck Crane Applications

Capacities up to 27,000kg per tandem

Reduced Maintenance

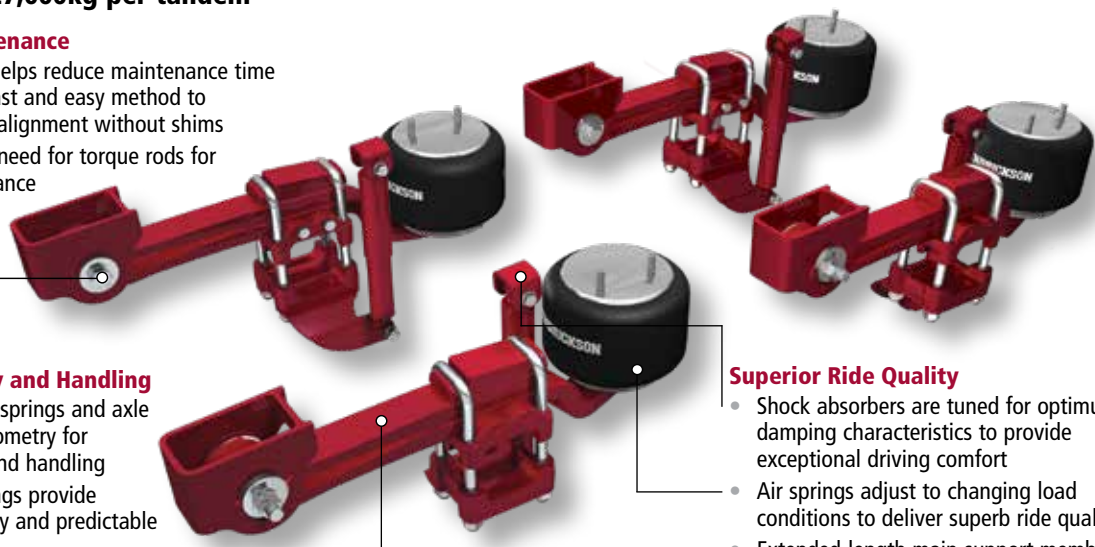
- QUIK-ALIGN® helps reduce maintenance time by offering a fast and easy method to adjust and set alignment without shims
- Eliminates the need for torque rods for lower maintenance

Exceptional Stability and Handling

- Front portion of leaf springs and axle form box-shaped geometry for additional stability and handling
- Wide stance air springs provide increased roll stability and predictable handling

Superior Ride Quality

- Shock absorbers are tuned for optimum damping characteristics to provide exceptional driving comfort
- Air springs adjust to changing load conditions to deliver superb ride quality
- Extended-length main support member generates lower spring rate for optimized roll stiffness, providing a more comfortable and compliant ride



All applications must comply with applicable Hendrickson specifications and must be approved by the respective vehicle manufacturer with the vehicle in its original, as-built configuration. Contact Hendrickson for additional details regarding specifications, applications, capacities, and operation, service and maintenance instructions. Actual product performance may vary depending upon vehicle configuration, operation, service and other factors.

Call Hendrickson or visit our global websites for additional information.

HENDRICKSON

840 South Frontage Road
Woodridge, IL 60517-4900 USA
+1.630.874.9700

Hendrickson Commercial Vehicle Systems Europe

Hendrickson Austria GmbH
Gussstahlwerkstraße 21
A-8750 Judenburg, Austria
+43 3572 44011 400
eu.hendrickson-intl.com

Hendrickson Truck Commercial Vehicle Systems

800 South Frontage Road
Woodridge, IL 60517-4904 USA
+1.855.743.3733
+1.630.910.2800
www.hendrickson-intl.com

Hendrickson Trailer Commercial Vehicle Systems

2070 Industrial Place SE
Canton, OH 44707-2641 USA
+1.866.743.3247
+1.330.489.0045
www.hendrickson-intl.com

Hendrickson Commercial Vehicle Systems Australia

32-44 Letcon Drive
Dandenong South, Victoria,
3175 Australia
+61 3 8792 3600
aus.hendrickson-intl.com

Hendrickson Commercial Vehicle Systems China

No. 1668
North Section of Chunbo Road
East New Dist of Jinan High-Tech
Industrial Development Zone,
Jinan City, Shandong Province,
China, 250104
+86 531 8880 9055
china.hendrickson-intl.com

Hendrickson Commercial Vehicle Systems India

Plot No. 4 & 5, Gat. No. 679/2
Behind Hotel Gandharva
Alandi Kuruli Road, Kuruli (Chakan)
Taluka Khed, Pune 410501, India
+91 2135 662600
india.hendrickson-intl.com

Hendrickson Commercial Vehicle Systems UK

1-9 Booth Drive
Park Farm Industrial Estate
Wellingborough, NN8 6GR,
England
+44(0) 1604 493161
uk.hendrickson-intl.com

45745-501EU 03-19

All trademarks shown are owned by Hendrickson USA, L.L.C., or one of its affiliates, in one or more countries.

Information contained in this literature was accurate at the time of publication. Product changes may have been made after the copyright date that are not reflected. © 2019 Hendrickson USA, L.L.C. All Rights Reserved

Printed in United States of America