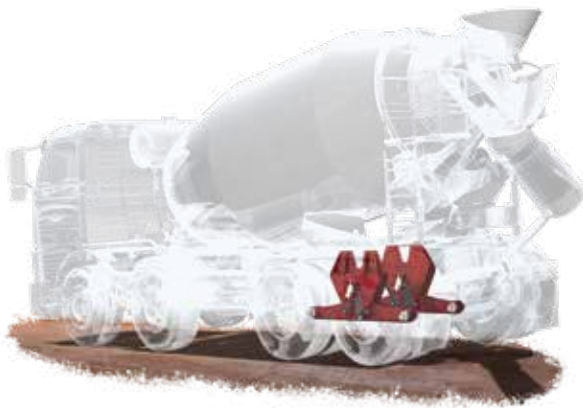


- MAAximise durability
- MAAximise stability
- MAAximise uptime



HAULMAAX 21t



Hendrickson's HAULMAAX® provides outstanding traction and mobility while helping reduce life cycle costs for fleets in daily operation. The unique spring system adjusts to the load, delivering an enhanced combination of unladen quality and laden stability. HAULMAAX is designed and recommended for heavy-duty truck applications such as tippers, mixers and refuse trucks.

To learn more about HAULMAAX,  
call Hendrickson or visit our global  
websites for additional information.

# HAULMAAX® Features and Benefits

## MAAXimise Durability

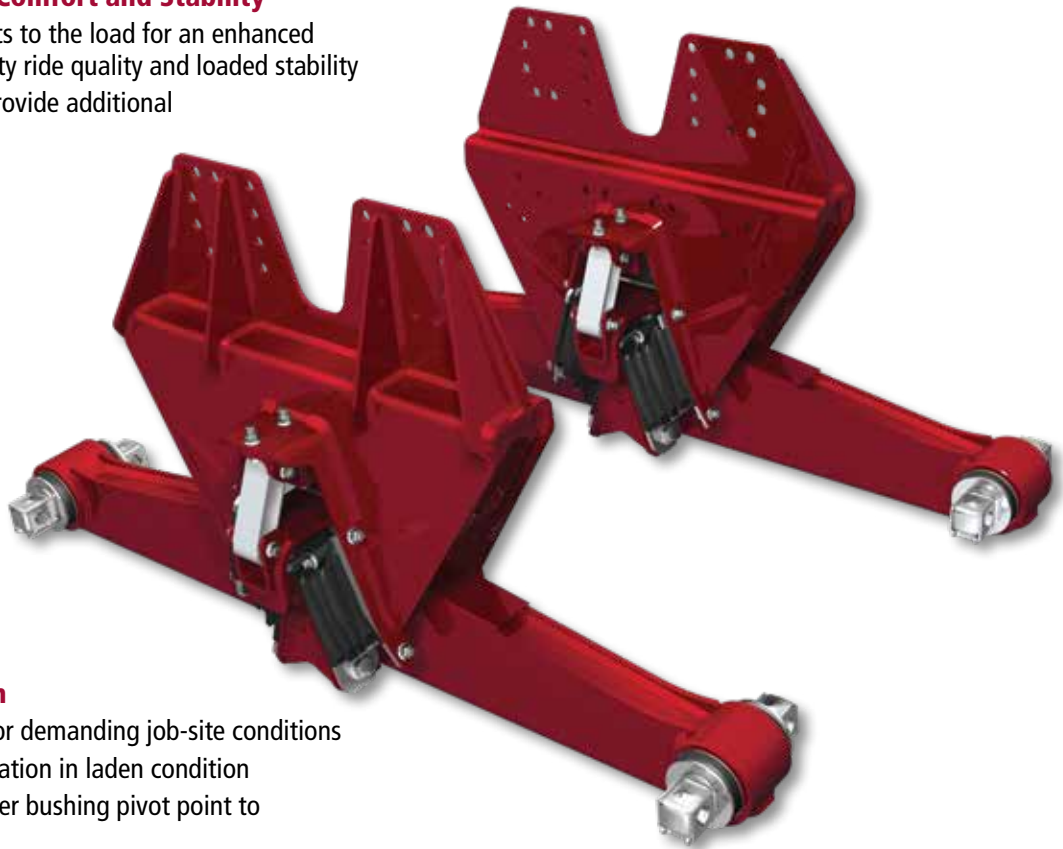
- Tested and approved for continuous loading up to 26t
- Up to 210kg lighter than comparable European mechanical suspensions to carry higher payload

## MAAXimise Driver Comfort and Stability

- Spring system adjusts to the load for an enhanced combination of empty ride quality and loaded stability
- Optional dampers provide additional driver comfort

## MAAXimise Uptime

- Improved ride reduces road shock and vibration to the vehicle for longer service life and fewer repairs to cab, chassis and body equipment
- No lubrication requirement
- Fewer bushings to service – center bushing eliminated



## MAAXimise Traction

- Provides versatility for demanding job-site conditions
- Up to 400mm articulation in laden condition
- Eliminates fixed center bushing pivot point to reduce wheel hop

## HAULMAAX Specifications

<b>Suspension Rating</b>	21 - 26t
<b>Ride Heights<sup>1</sup></b>	200 to 300mm
<b>Axle Spacing<sup>1</sup></b>	1,350 - 1,400mm

1. For different ride heights or axle spacing options, contact Hendrickson for further information.

All applications must comply with applicable Hendrickson specifications and must be approved by the respective vehicle manufacturer with the vehicle in its original as-built configuration. Contact Hendrickson for additional details regarding specifications, applications, capacities, and operation, service and maintenance instructions.

Shock absorbers are required in tractor and logging applications. Ride and traction may be improved in other applications with shock absorbers. Ride performance can be subjective and may be dependent on many factors beyond the suspension design such as cab suspension, road conditions, body/auxiliary equipment, frame specifications, etc. Contact Hendrickson or your truck manufacturer/dealer for further information.

Actual product performance may vary depending upon vehicle configuration, operation, service and other factors.

This product is covered by at least one or more U.S. and/or foreign patents and/or pending U.S. and/or foreign patent applications. See Hendrickson for details.

Call Hendrickson or visit our global websites for additional information.



840 South Frontage Road  
Woodridge, IL 60517-4900 USA  
+1.630.874.9700

**Hendrickson Commercial Vehicle Systems Europe**  
Hendrickson Austria GmbH  
Gussstahlwerkstraße 21  
A-8750 Judenburg, Austria  
+43 3572 44011 400  
eu.hendrickson-intl.com

**Hendrickson Truck Commercial Vehicle Systems**  
800 South Frontage Road  
Woodridge, IL 60517-4904 USA  
+1.855.743.3733  
+1.630.910.2800  
www.hendrickson-intl.com

**Hendrickson Trailer Commercial Vehicle Systems**  
2070 Industrial Place SE  
Canton, OH 44707-2641 USA  
+1.866.743.3247  
+1.330.489.0045  
www.hendrickson-intl.com

**Hendrickson Commercial Vehicle Systems Australia**  
32-44 Letcon Drive  
Dandenong South, Victoria,  
3175 Australia  
+61 3 8792 3600  
aus.hendrickson-intl.com

**Hendrickson Commercial Vehicle Systems China**  
No. 1668  
North Section of Chunbo Road  
East New Dist of Jinan High-Tech  
Industrial Development Zone,  
Jinan City, Shandong Province,  
China, 250104  
+86 531 8880 9055  
china.hendrickson-intl.com

**Hendrickson Commercial Vehicle Systems India**  
Plot No. 4 & 5, Gat. No. 679/2  
Behind Hotel Gandharva  
Alandi Kuruli Road, Kuruli (Chakan)  
Taluka Khed, Pune 410501, India  
+91 2135 662600  
india.hendrickson-intl.com

**Hendrickson Commercial Vehicle Systems UK**  
1-9 Booth Drive  
Park Farm Industrial Estate  
Wellingborough, NN8 6GR,  
England  
+44(0) 1604 493161  
uk.hendrickson-intl.com