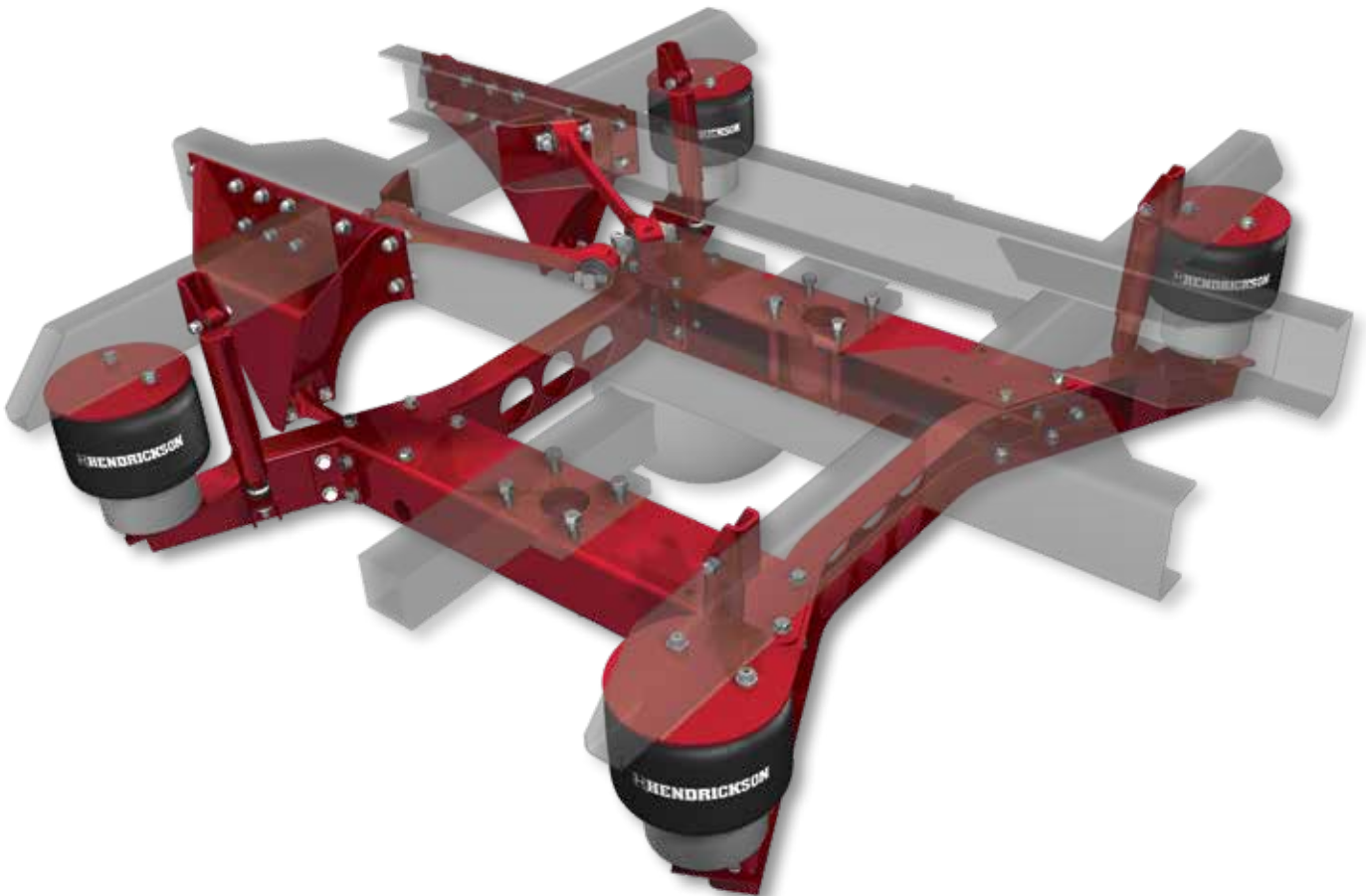




Premium Drive Axle Bus Air Suspension System

- Enhanced performance
- Lightweight design
- Fabricated construction



Hendrickson's LUXAIR™ is a premium drive axle air suspension ideal for transit and coach bus applications. Utilising Hendrickson's expertise in vehicle dynamics, this suspension can package with a variety of air springs and shock absorbers to ensure optimal performance. The fabricated construction allows for flexibility, simplifying packaging for a variety of frame types and body styles. The efficient design also results in a lightweight solution that maintains the durability and performance expected in demanding transit and coach applications.

Protect What Matters...with Hendrickson

To learn more about LUXAIR,
call Hendrickson or visit our global
websites for additional information.

HENDRICKSON
The World Rides On Us®

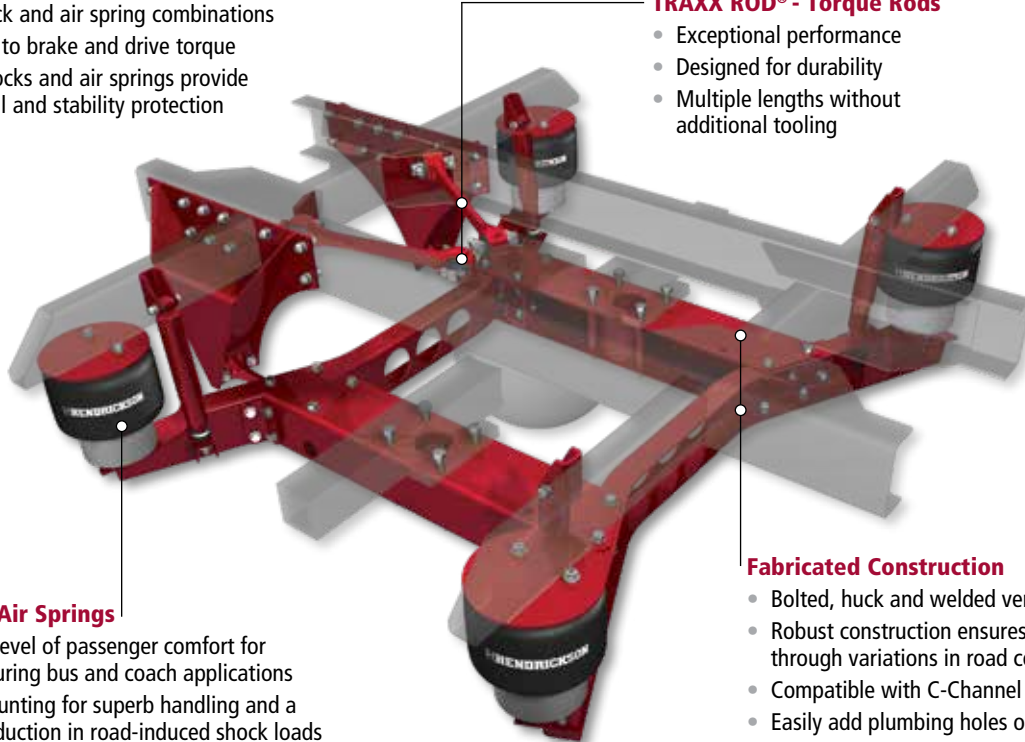
LUXAIR™ Features and Benefits

Advanced Performance

- Tuneable rate, frequency and roll stiffness for varying applications
- Multiple shock and air spring combinations
- Non-reactive to brake and drive torque
- Outboard shocks and air springs provide additional roll and stability protection

TRAXX ROD® - Torque Rods

- Exceptional performance
- Designed for durability
- Multiple lengths without additional tooling



High Volume Air Springs

- Outstanding level of passenger comfort for inner-city, touring bus and coach applications
- Outboard mounting for superb handling and a significant reduction in road-induced shock loads

Fabricated Construction

- Bolted, huck and welded versions available
- Robust construction ensures exceptional reliability through variations in road conditions
- Compatible with C-Channel and Monocoque frames
- Easily add plumbing holes or mounting brackets

LUXAIR Specifications

Scalable Capacity	Up to 14t
Installed Weight ¹	354kg
Axle Travel ²	± 76mm
Ride Height ³	178 - 267mm
Brakes	Drum or Air Disc
Engine Torque Restrictions	None

1. Installed weight includes complete suspension, V-rods and all hardware. Published weight is for LUXAIR at a 7 inch ride height. Other configurations may change weight. Axle brackets and frame hangers are not included.
2. Axle travel may be limited by vehicle manufacturer; axle stop settings and shock stroke may restrict suspension articulation. Varying ride heights and configurations may restrict travel. Contact Hendrickson for maximum axle travel values for LUXAIR.
3. For different ride height options, please contact Hendrickson, the vehicle manufacturer or dealer for further information.

All applications must comply with applicable Hendrickson specifications and must be approved by the respective vehicle manufacturer with the vehicle in its original, as-built configuration. For additional details regarding specifications, applications, capacities and service maintenance instructions, contact Hendrickson. Actual product performance may vary depending upon vehicle configuration, operation, service and other factors.

Call Hendrickson or visit www.hendrickson-bus.com for additional information.



500 Park Boulevard, Suite 450
Itasca, IL 60143-1285 USA
+1.630.874.9700

Hendrickson Commercial Vehicle Systems Europe

Hendrickson Austria GmbH
Gussstahlwerkstraße 21
A-8750 Judenburg, Austria
+43 3572 44011 400
eu.hendrickson-intl.com

Hendrickson Truck Commercial Vehicle Systems

800 South Frontage Road
Woodridge, IL 60517-4904 USA
+1.855.743.3733
+1.630.910.2800
www.hendrickson-intl.com

Hendrickson Trailer Commercial Vehicle Systems

2070 Industrial Place SE
Canton, OH 44707-2641 USA
+1.866.743.3247
+1.330.489.0045
www.hendrickson-intl.com

Hendrickson Commercial Vehicle Systems Australia

32-44 Letcon Drive
Dandenong South, Victoria,
3175 Australia
+61 3 8792 3600
aus.hendrickson-intl.com

Hendrickson Commercial Vehicle Systems China

No. 1668
North Section of Chunbo Road
East New Dist of Jinan High-Tech
Industrial Development Zone,
Jinan City, Shandong Province,
China, 250104
+86 531 8880 9055
china.hendrickson-intl.com

Hendrickson Commercial Vehicle Systems India

Plot No. 4 & 5, Gat. No. 679/2
Behind Hotel Gandharva
Alandi Kuruli Road, Kuruli (Chakan)
Taluka Khed, Pune 410501, India
+91 2135 662600
india.hendrickson-intl.com

Hendrickson Commercial Vehicle Systems UK

1-9 Booth Drive
Park Farm Industrial Estate
Wellingborough, NN8 6GR,
England
+44(0) 1604 493161
uk.hendrickson-intl.com