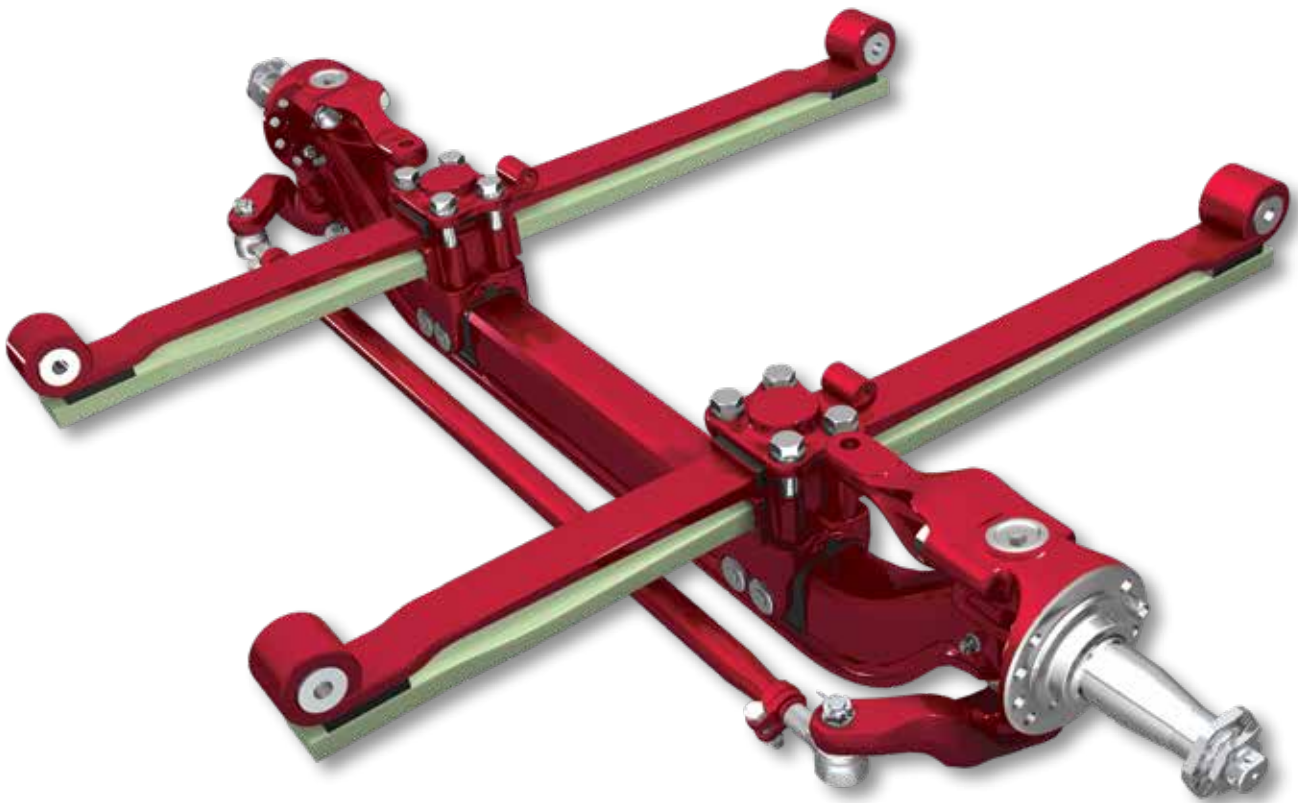


- Weight savings
- Rigid strength
- Durability
- Composite spring technology
- 7 - 11t

**SYSTEM
CONCEPT**



Hendrickson's STEERTEK NXT front steer axle and integrated suspension are optimised to deliver maximum performance as a complete system solution. The fabricated STEERTEK NXT design integrates lightweight axle durability with advanced composite spring suspension technology, saving weight compared to traditional I-beam axle and multi-leaf spring systems.

To learn more about STEERTEK NXT,
call Hendrickson or visit our global
websites for additional information.

STEERTEK NXT System* – Features and Benefits

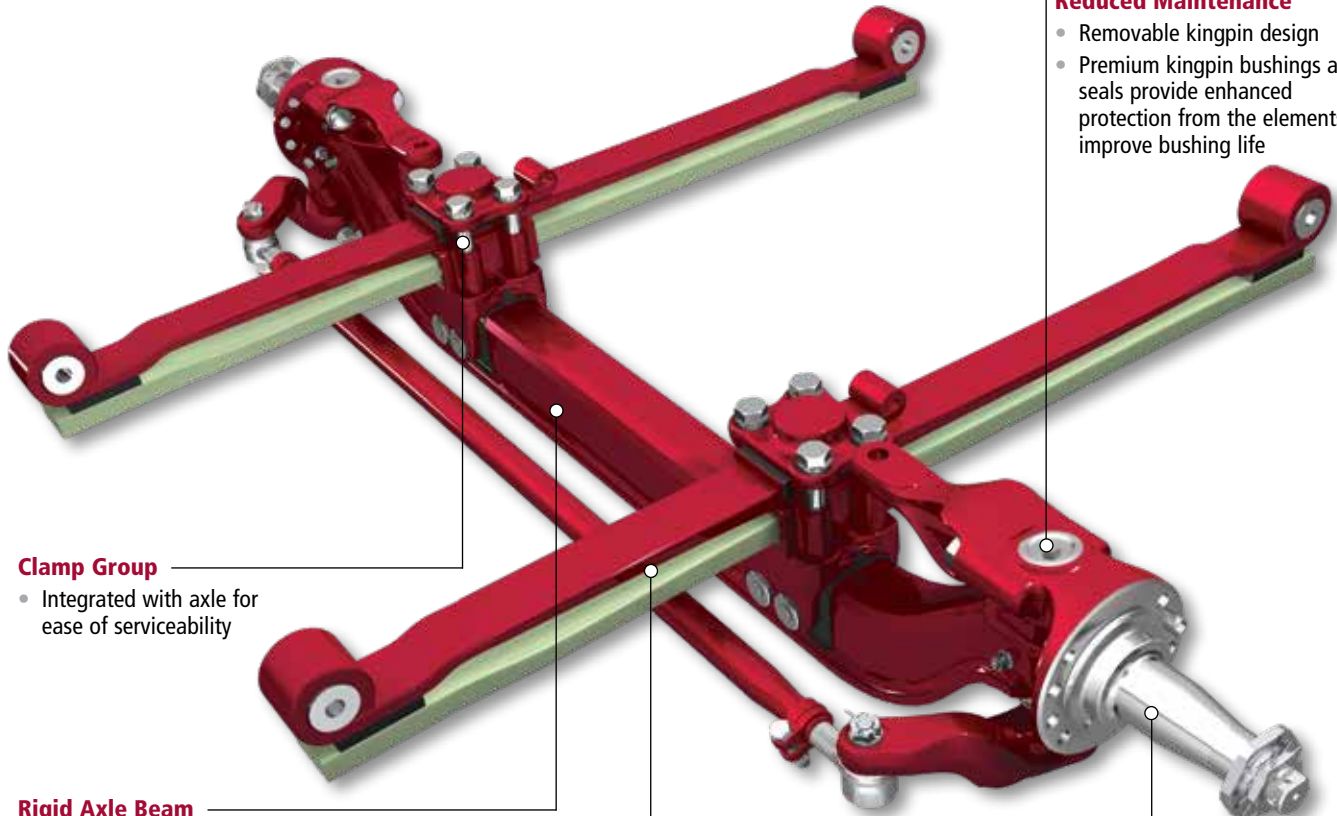
SYSTEM CONCEPT

Weight Savings

- Integrated system design provides weight savings compared to traditional forged I-beam axle and multi-leaf spring systems

Reduced Maintenance

- Removable kingpin design
- Premium kingpin bushings and seals provide enhanced protection from the elements to improve bushing life



Clamp Group

- Integrated with axle for ease of serviceability

Rigid Axle Beam

- The box-shaped cross section resists horizontal, vertical and twisting forces more effectively than traditional I-beam axles
- Continuous beam architecture minimises stress points for added durability

Advanced Suspension Integration

- Composite and steel leaf hybrid spring technology optimises weight and durability
- System designed for optimal control under heavy braking

Brake Compatibility

- Available with disc or drum brakes

*System shown represents a concept design.

All applications must comply with applicable Hendrickson specifications and must be approved by the respective vehicle manufacturer with the vehicle in its original, as-built configuration. For additional details regarding specifications, applications, capacities and service maintenance instructions, contact Hendrickson. Actual product performance may vary depending upon vehicle configuration, operation, service and other factors.

Call Hendrickson or visit our global websites for additional information.

HENDRICKSON

500 Park Boulevard, Suite 450
Itasca, IL 60143-1285 USA
+1.630.874.9700

Hendrickson Commercial Vehicle Systems Europe

Hendrickson Austria GmbH
Gussstahlwerkstraße 21
A-8750 Judenburg, Austria
+43 3572 44011 400

eu.hendrickson-intl.com

Hendrickson Truck Commercial Vehicle Systems

800 South Frontage Road
Woodridge, IL 60517-4904 USA
+1.855.743.3733
+1.630.910.2800

www.hendrickson-intl.com

Hendrickson Trailer Commercial Vehicle Systems

2070 Industrial Place SE
Canton, OH 44707-2641 USA
+1.866.743.3247
+1.330.489.0045

www.hendrickson-intl.com

Hendrickson Commercial Vehicle Systems Australia

32-44 Letcon Drive
Dandenong South, Victoria,
3175 Australia
+61 3 8792 3600

aus.hendrickson-intl.com

Hendrickson Commercial Vehicle Systems China

No. 1668
North Section of Chunbo Road
East New Dist of Jinan High-Tech
Industrial Development Zone,
Jinan City, Shandong Province,
China, 250104
+86 531 8880 9055
china.hendrickson-intl.com

Hendrickson Commercial Vehicle Systems India

Plot No. 4 & 5, Gat. No. 679/2
Behind Hotel Gandharva
Alandi Kuruli Road, Kuruli (Chakan)
Taluka Khed, Pune 410501, India
+91 2135 662600
india.hendrickson-intl.com

Hendrickson Commercial Vehicle Systems UK

1-9 Booth Drive
Park Farm Industrial Estate
Wellingborough, NN8 6GR,
England
+44(0) 1604 493161
uk.hendrickson-intl.com