



Integrated Mid-lift Axle and Air Suspension System

Advanced lifting pusher axle and air suspension system.



MLA2™ suspension brings a systems approach, delivering advanced design, technology and manufacturing for tractors and rigid trucks. This fully integrated system significantly helps reduce weight, cost and operating expenses over traditional twin steer configurations.

MLA2 quickly became a widespread industry choice for 44 t (GCW) 6×2 tractor applications.

To learn more about MLA2,
call Hendrickson or visit our global
web sites for additional information.

 **HENDRICKSON**
The World Rides On Us®

MLA2™ Features and Benefits

Reduces Weight

- Reduced weight offers greater payload

Reduced Costs

- Eliminates steering links, ball joints and kingpins for improved alignment retention, reduced tyre wear and lower maintenance costs
- Factory pre-set toe and camber settings reduce tyre wear and extend service life
- Unitised wheel ends and premium shocks help reduce costs
- Maintenance-free bushings and pivot connections

Improved Performance

- Suspension tuned for enhanced ride and vehicle protection
- Air springs adjust to load and road conditions for enhanced driver comfort and vehicle protection

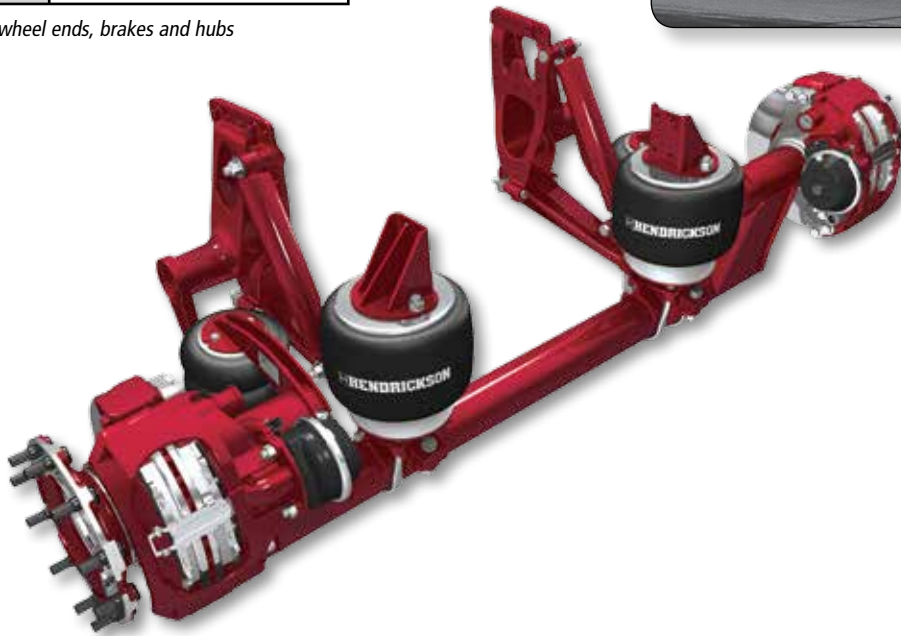
Flexibility

- Automatic load-sensed drop function – fully integrated with on-board EBS
- Disc or drum brake applications
- Wheel sizes 17.5, 19.5 and 22.5 – which provide 44 t GCW

MLA2 Specifications

Installed Weight*	Typically 723 kg
Suspension Rating	8 t
GVW Approval	N/A
GCW Approval	44 t
Ride Heights	To customer specification

* Installed weight includes wheel ends, brakes and hubs



Call Hendrickson or visit our global web sites for additional information.



500 Park Boulevard, Suite 450 +1.630.874.9700
Itasca, IL 60143-1285 USA Fax +1.630.875.1204

Hendrickson Truck Commercial Vehicle Systems
800 South Frontage Road
Woodridge, IL 60517-4904 USA
+1.855.743.3733
+1.630.910.2800
Fax +1.630.910.2899
www.hendrickson-intl.com

Hendrickson Trailer Commercial Vehicle Systems
2070 Industrial Place SE
Canton, OH 44707-2641 USA
+1.866.743.3247
+1.330.489.0045
Fax +1.800.696.4416
www.hendrickson-intl.com

Hendrickson Commercial Vehicle Systems UK
1-9 Booth Drive
Park Farm Industrial Estate
Wellingborough, NN8 6GR, England
+44(0) 1604 493161
Fax +44(0) 1604 493985
uk.hendrickson-intl.com

Hendrickson Commercial Vehicle Systems Europe
Hendrickson Austria GmbH
Gussstahlwerkstraße 21
A-8750 Judenburg, Austria
+43 3572 44011 400
eu.hendrickson-intl.com

Hendrickson Commercial Vehicle Systems India
Plot No. 4 & 5, Gat. No. 679/2
Behind Hotel Gandharva
Alandi Kuruli Road, Kuruli (Chakan)
Taluka Khed, Pune 410501, India
+91 2135 662600
india.hendrickson-intl.com

Hendrickson Commercial Vehicle Systems China
Suite 2402B Bao'an Building,
No. 800
Dongfang Road, Pudong
New Dist, Shanghai, 200122
+86 21 5876 5710
Fax +86 21 5876 1577
china.hendrickson-intl.com

Hendrickson Commercial Vehicle Systems Australia
32-44 Lector Drive
Dandenong South, Victoria,
3175 Australia
+61 3 8792 3600
Fax +61 3 8792 3699
aus.hendrickson-intl.com