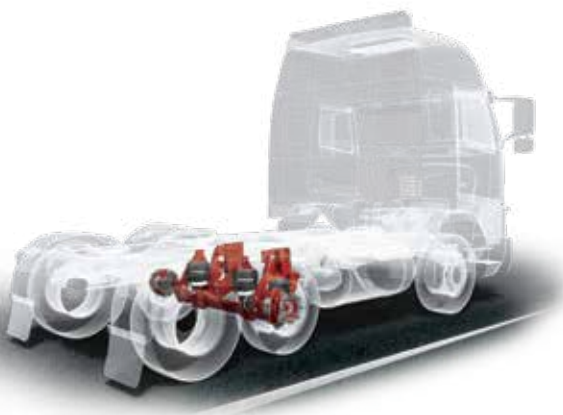




Integrated Mid-Lift Axle and Truck Air Suspension System

- Enhanced ride
- Higher payload
- Reduced maintenance



MLA3™ brings a systems approach, delivering advanced design, technology and manufacturing for tractors and rigid trucks. This fully integrated lift axle system significantly helps reduce weight, cost and operating expenses over traditional twin steer configurations.

MLA3 on 6x2 tractor units offers 44t GCW capability.

To learn more about MLA3,
call Hendrickson or visit our global
websites for additional information.

 **HENDRICKSON**
The World Rides On Us®

MLA3™ Features and Benefits

Enhanced Benefit for Operators

- Reduced weight offers greater payload
- Reduced footprint on frame frees up more space for other sub-systems

Reduced Costs

- Eliminates steering links, ball joints and kingpins for improved alignment retention
- Proven design that assists with reducing tyre wear and extending service life
- Unitised wheel ends and premium dampers help reduce maintenance costs
- Maintenance-free pivot bushings
- No axle clamp group parts to service

Improved Performance

- Suspension tuned for enhanced ride and vehicle protection

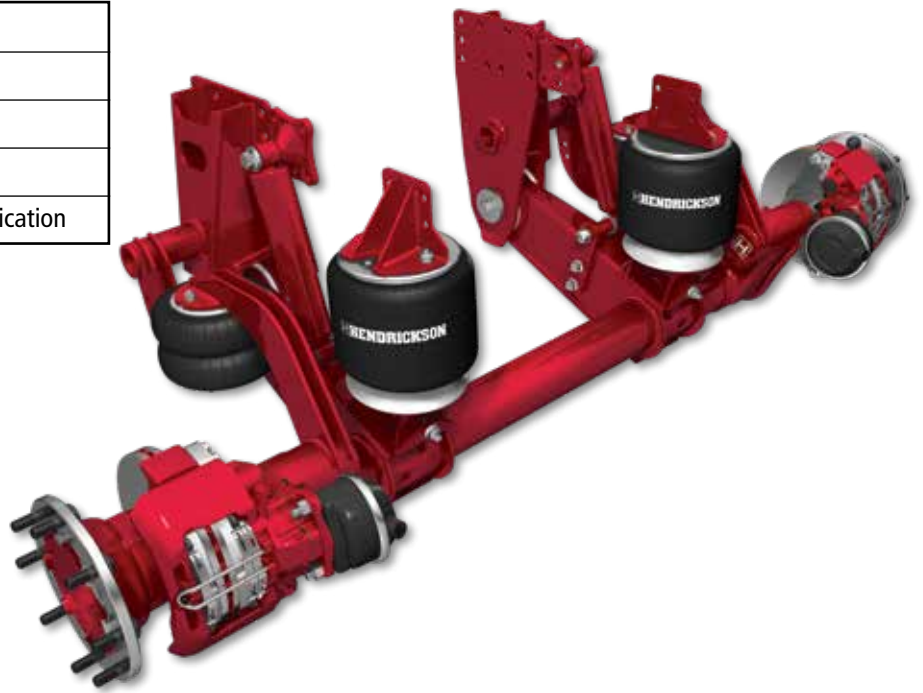
Flexibility

- Seamless integration with Vehicle ECAS and ESP systems
- Disc or drum brake applications
- Wheel sizes 444.5 and 571.5mm with axle capacities from 4.8 to 7.5t allow 44t GCW
- Cast / fabricated frame hanger options
- Lift mechanism options inboard / outboard of frame
- Ride height options to suit standard / low frame heights

MLA3 Specifications

Installed Weight*	375 to 570kg
Suspension Rating	4.8 - 7.5t
GVW Approval	23 - 26t on 6x2
GCW Approval	44t
Ride Heights	To customer specification

* Installed weight includes wheel ends, brakes and hubs.



All applications must comply with applicable Hendrickson specifications and must be approved by the respective vehicle manufacturer with the vehicle in its original, as-built configuration. Contact Hendrickson for additional details regarding specifications, applications, capacities, and operation, service and maintenance instructions. Actual product performance may vary depending upon vehicle configuration, operation, service and other factors.

Call Hendrickson or visit our global websites for additional information.



840 South Frontage Road
Woodridge, IL 60517-4900 USA
+1.630.874.9700

Hendrickson Commercial Vehicle Systems Europe

Hendrickson Austria GmbH
Gussstahlwerkstraße 21
A-8750 Judenburg, Austria
+43 3572 44011 400
eu.hendrickson-intl.com

Hendrickson Truck Commercial Vehicle Systems

800 South Frontage Road
Woodridge, IL 60517-4904 USA
+1.855.743.3733
+1.630.910.2800
www.hendrickson-intl.com

Hendrickson Trailer Commercial Vehicle Systems

2070 Industrial Place SE
Canton, OH 44707-2641 USA
+1.866.743.3247
+1.330.489.0045
www.hendrickson-intl.com

Hendrickson Commercial Vehicle Systems Australia

32-44 Letcon Drive
Dandenong South, Victoria,
3175 Australia
+61 3 8792 3600
aus.hendrickson-intl.com

Hendrickson Commercial Vehicle Systems China

No. 1668
North Section of Chunbo Road
East New Dist of Jinan High-Tech
Industrial Development Zone,
Jinan City, Shandong Province,
China, 250104
+86 531 8880 9055
china.hendrickson-intl.com

Hendrickson Commercial Vehicle Systems India

Plot No. 4 & 5, Gat. No. 679/2
Behind Hotel Gandharva
Alandi Kuruli Road, Kuruli (Chakan)
Taluka Khed, Pune 410501, India
+91 2135 662600
india.hendrickson-intl.com

Hendrickson Commercial Vehicle Systems UK

1-9 Booth Drive
Park Farm Industrial Estate
Wellingborough, NN8 6GR,
England
+44(0) 1604 493161
uk.hendrickson-intl.com